



CURRENT INSTRUMENT TRANSFORMER FOR INDOOR INSTALLATION FOR VOLTAGE LEVEL 7.2 kV - 36 kV TYPE TSB



DESCRIPTION

- Current instrument transformer, type TSB is designed as primary double ratio and single ratio ones. Single ratio one is intended for rated primary current within range from 5 to 800A, but primary double ratio one from (5-10) A to (400-800) A.

Rated secondary current is 5 A.

Rated thermal current I_{th} for rated current is:

$$I_{th} = 140 I_n \quad (I_n = 1 - 125 \text{ A})$$

$$I_{th} = 100 I_n \quad (I_n = 150 - 200 \text{ A})$$

$$I_{th} = 80 I_n \quad (I_n = 250 - 400 \text{ A})$$

Rated dynamic current is:

$$I_{dyn} = 2,5 I_{th}$$

- Active parts, primary and secondary windings and magnetic core, are cast with synthetic resin which serves as insulation, as well as the transformer housing.

By application of synthetic resin and high quality magnetic sheets, a current transformer of high electrical and mechanical characteristics is provided.

Current transformer, type TSB is designed in four models. Models I and II are equipped with one, but model III and IV with two magnetic cores.

TO SPECIFY FOR AN ORDER

- Rated net voltage
- Rated frequency
- Rated primary and secondary currents
- Rated short-term thermal current (I_{th})
- Rated continuous thermal current (I_{cth})
- Rated dynamic current (I_{dyn})
- Rated output/accuracy class/safety factor (SF) (measurement)
- Rated output/accuracy class/accuracy limiting factor (protection)
- Ambient temperature
- Altitude
- Standard

UPON A SPECIAL REQUEST

- Special design
- Rated secondary current 1 A.

- Features
 - high dielectric safety
 - resistance to impulse over-voltage
 - high precision of transformation
 - mechanical resistance
 - possibility of mounting in any position which favorably influences upon the accommodation of apparatus and size of cubicle

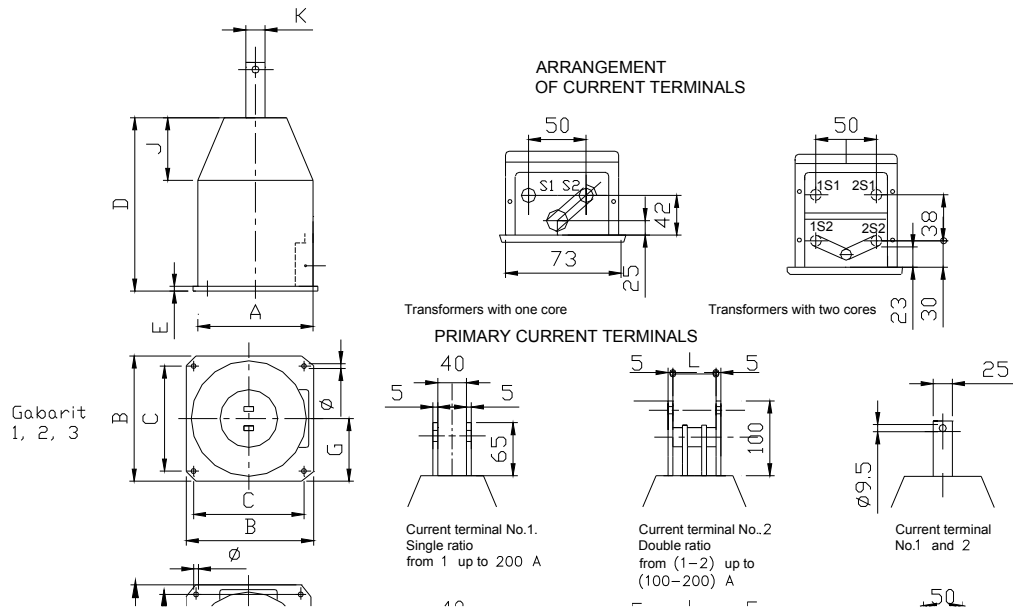
STANDARDS

Current instrument transformers are in accordance with IEC, JUS, ANSI, BS standards, or some other upon request.

APPLICATION

Current instrument transformer, type TSB is intended for incorporation in the switchgear for indoor installation up to 36 kV. These are provided for connection to ammeters and to current circuits of metering, protective and measuring devices.

TECNICAL CHARACTERISTICS



CURRENT TRANSFORMER WITH SINGLE MAGNETIC CORE

Type		TSB-3	TSB-4	TSB-5	TSB-3	TSB-4	TSB-5	TSB-6	TSB-3	TSB-4	TSB-5	TSB-6	TSB-7
Highest voltage for equipment	kV	7,2	12	17,5	7,2	12	17,5	24	7,2	12	17,5	24	36
Model		I	I	I	II	II	II	II	IIS	IIS	IIS	IIS	II
Rated accuracy class		0,5	1	1 ; 3	0,5	1	1 ; 3		0,5 ; 1		1 ; 3		
Rated output	V A	15	15 30 45	15 ; 30	15 ; 30	15 ; 30 45 ; 60	15 30		15;30;45		15 ; 30 45 ; 60		
Safety factor (SF)		10	10 5 ; 10 5		5 ; 10	5 ; 10			5 ; 10				
Accuracy limiting factor				10P5			10P5;10P10 10P5				10P5;10P10 10P5		

CURRENT TRANSFORMER WITH TWO MAGNETIC CORE

Type		TSB-3	TSB-4	TSB-5	TSB-6	TSB-7	TSB-7	Designation	3/I - 5/I	3/II - 6/II	3/III - 6/III	7/II	7/III	7/IV
Highest voltage for equipment	kV	7,2	12	17,5	24	36	36		A	155	175	220	220	250
Model		III	III	III	III	III	IV	B	165	185	240	270	300	330
Measuring core:								C	130	150	190	190	210	230
Rated output	VA	15;30	45;60	45;60	45;60	15;30;45	15;30;45	D	211	254	300	300	330	365
Rated accuracy class		0,5 ; 1	0,5 ; 1	0,5 ; 1	0,5 ; 1	0,5 ; 1	0,5 ; 1	E	5	5	8	8	8	8
Safety factor (SF)		5;10	5;10	5;10	5;10	5;10	5;10	F	165	185	240	250	270	300
Protection core:								G	82,5	92,5	120	125	135	140
Rated output	VA	15;30 45;60	15 30	15;30 45;60	15;30 45;60	15;30 45;60	15;30 45;60	H	9,5	9,5	12,5	12,5	14	14
Rated accuracy class		1;3	1;3	1;3	1;3	1;3	1;3	I	40	58	58	58	58	58
Accuracy limiting factor		10P5;10P10 10P5	10P10; 10P5	10P5;10P10 10P5	10P5;10P10 10P5;10P10	10P5;10P10 10P5	10P5;10P10 10P5	J	90	100	100	100	110	120
								K	70	90	110	110	130	135
								Mass (kg)	10	13	23	33	38	55

Bosnia and Herzegovina – Republic of Srpska, 71123 I. Sarajevo, Vuka Karadžića 17

Switchboard: +387 57 342 180, General Manager:+387 57 342 549, 343 354, Commercial director: +387 57 340 353, 342 326

Telefax: +387 (0) 57 340 357, 340 356, e-mail: office@e-raop.com

