

## CURRENT TRANSFORMERS FOR INDOOR INSTALLATION FOR VOLTAGE LEVEL 7.2 kV – 36 kV TYPE STS



### DESCRIPTION OF TRANSFORMER

- The active part of the transformer is cast with synthetic resin which serves as insulation and as a transformer housing. The transformer casting and secondary terminal box are fixed on the supporting plate. Using synthetic insulation materials, the transformers of small overall dimensions and weights as well as of high electrical and mechanical characteristics are made.
- The transformers are made as single-ratio and primary and secondary double-ratio ones.
- Features:
  - Narrow design
  - Small overall dimensions and weight
  - High mechanical durability
  - High dielectric accuracy
  - high accuracy of transformation
  - Possibility of installation in any position
  - Possibility of installation in switchgears of reduced design.
  - Possibility of withstanding high thermal and dynamic stresses.

### TO SPECIFY FOR AN ORDER

- Rated net voltage
- Rated frequency
- Rated primary and secondary current
- Rated short – time thermal current ( $I_{th}$ )
- Rated continuous thermal current ( $I_{cth}$ )
- Rated dynamic current ( $I_{dyn}$ )
- Rated output / Accuracy class / Safety factor FS ( measurement )
- Rated output / Accuracy class / Accuracy limit factor ( protection )
- Ambient temperature
- Attitude
- Standard

### UPON A SPECIAL REQUEST

- More number of cores
- Secondary reconnection
- Rated continuous thermal current more than 300 In

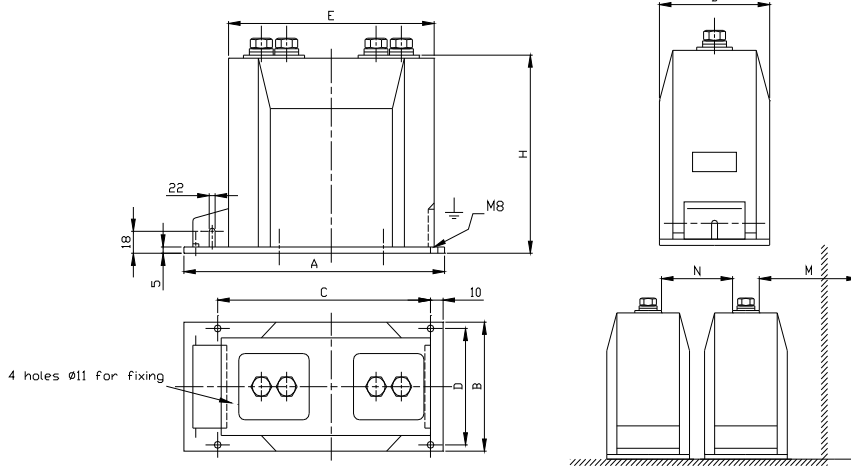
### STANDARDS

Current measuring transformers are in accordance with IEC, JUS, ANSI, BS or some other standards upon request.

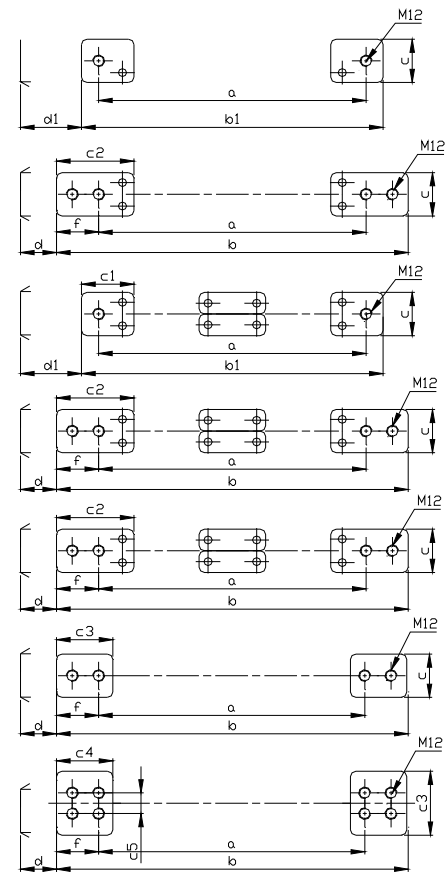
### APPLICATION

Current measuring transformer for indoor installation type STS is used for separation of measuring and safety devices from high voltage as well as for measuring current transformation to a level appropriated for mentioned devices. Small dimensions, narrow design, small weight and possibility of installation in any position and convenient access to secondary terminal box make these transformers suitable for installation in indoor switchgears of reduced design.

# TECHNICAL CHARACTERISTICS



Type	Unit	STS 12	STS 24	STS 38	
Highest voltage for equipment	kV	12	24	38	
Rated withstand voltage 1 min	kV	28	50	70	
Impulse withstand voltage 1,2/50 $\mu$ s, full wave	kV	75	125	170	
Rated primary current for unconnecting transformers	A	20 - 2500			
Rated secondary current	A	2 x 20 up to 2 x 600			
Rated continuous thermal current	$I_{cth}$	1,2 x $I_n$			
Rated short - time thermal current	$I_{th}$	(100-300 $I_n$ ) max 60 kA			
Rated dynamic current	$I_{dyn}$	2,5 $I_{th}$ (max 160 kA)			
Rated primary current for reconnecting transformers	A	5 or 1			
Number of cores		up to 3			
Cores for measurement: Rated output Accuracy class Safety factor	VA	up to 30 0,2-0.5-1 FS= 5 ; 10			
Cores for protection: Rated output Accuracy class Accuracy limiting factor	VA	up to 30 5P ; 10P 5-10-15-20-30			
Mass	kg	20	28	65	
Dimensions	A	mm	337	357	420
	B	mm	148	178	250
	C	mm	270	290	300
	D	mm	128	158	225
	E	mm	270	290	390
	H	mm	227	357	420
	a	mm	120	120	220
	b	mm	224	224	324
	b1	mm	160	160	260
	c1	mm	53	53	53
	c2	mm	85	85	85
	c3	mm	70	70	70
	c4	mm	72	72	72
	c5	mm	40	40	40
	d	mm	23	33	23
	d1	mm	55	65	55
	c	mm	40	40	40
	f	mm	52	52	52
Nmin	mm	100	190	270	
Mmin	mm	110	210	290	



Note: All data contained herewith are to be considered as information only.

A list of guaranteed values with dimension drawing attached should be submitted upon customer's request.

Bosnia and Herzegovina – Republic of Srpska, 71123 I.Sarajevo, Vuka Karadžića 17

Switchboard: +387 57 342 180, General Manager: +387 57 342 549, 343 354, Commercial Director: +387 57 340 353, 342 326

Telefax: +387 (0) 57 340 357, 340 356, e-mail: office@e-raop.com

