



CURRENT TRANSFORMERS FOR INDOOR INSTALLATION FOR VOLTAGE LEVEL 0.72 kV TYPE STE-18; STE-17



DESCRIPTION

- Current instrument transformers types STE-18 and STE-17 are of bus type.
- Current instrument transformer type STE-18 is designed for nominal current ranges from 750 to 2500 A. Square core is made of cold-rolled magnetic metal sheet. An insulated bakelite housing enables a reduction of skipping distances but provides functional and aesthetic unity.
- Current instrument transformer type STE-17 is designed for nominal current ranges from 1000 to 2500 A. Core and secondary windings are cast with synthetic resin which ensures high electric insulation properties, high mechanical strength, protection of windings against aggressive influence of humidity as well as damages of secondary caused by the electric flashover.
- It is insured an easy fitting of transformer into primary trails by its appropriate design. Smooth surfaces enable easy transformer cleaning.
- Rated secondary current is 5 A.

STANDARDS

Current instrument transformers are in accordance with IEC, JUS, ANSI, BS or some other international standards upon request.

APPLICATION

Current instrument transformers types STE-18 and STE-17 are intended for indoor mounting and are to be incorporated in electric power distributing plants of rated voltage up to 0.72 kV. They are used for supply of low voltage measuring devices current circuits.

TO SPECIFY FOR AN ORDER

- Rated net voltage
- Rated frequency
- Rated primary and secondary current
- Rated power
- Accuracy class
- Security factor SF
- Ambient temperature
- Altitude
- Standard

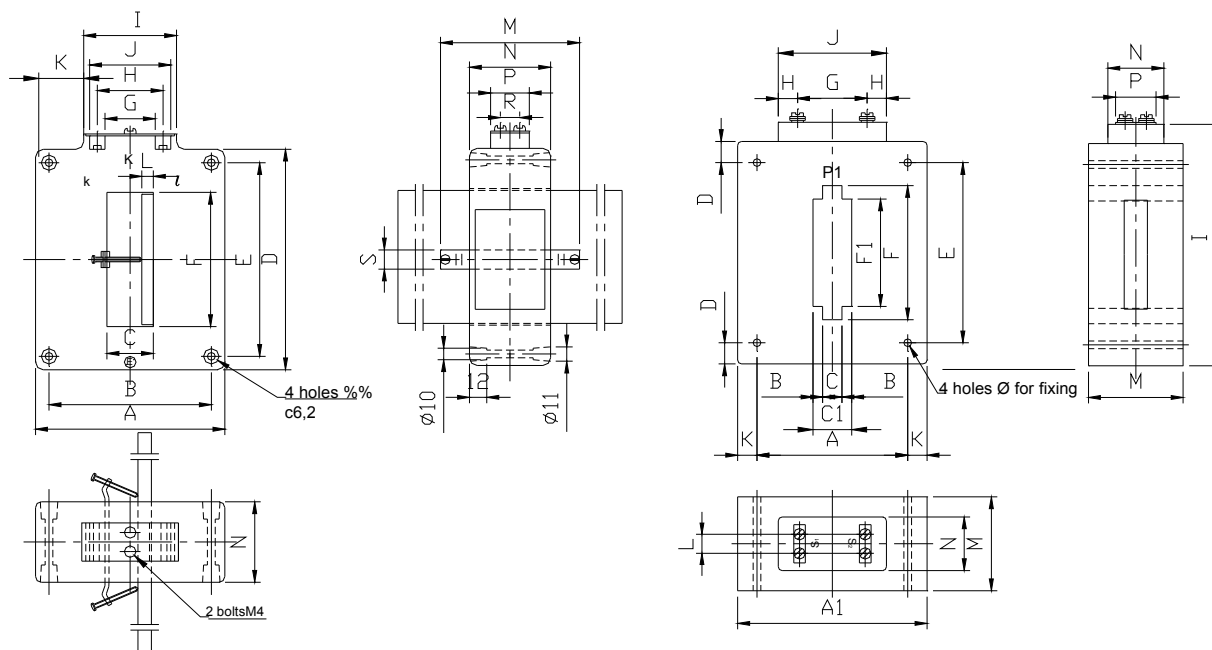
UPON SPECIAL REQUEST

- Special design
- Rated secondary current 1A

TECHNICAL CHARACTERISTICS

STE-18

STE-17



TYPE	Measure Unit	STE-18	STE-17
Highest voltage for equipment	kV	0,72	0,72
Test voltage	kV	3	3
Rated short-time thermal current I _{th}	A	60 I _n	60 I _n
Rated dynamic current I _{dyn}	A	2,5 I _{th}	2,5 I _{th}
Rated frequency	Hz	50 or 60	
Rated primary current	A	750-2500	1000 – 2500
Rated secondary current	A	5	5
Rated power/Accuracy class 0,5	VA	15 , 30	15 , 30
Rated power/Accuracy class 1	VA	30	30
Mass	kg	1 – 1,2	2,2 – 2,5
Table of dimensions No.		1	2

Table of dimensions 1	Dimensions (mm)																
	A	B	C	D	E	F	G	H	I	J	K	L	M	N	P	R	S
	140	122	35	160	140	102	39	50	71	65	34,5	10	105	60	30	15	15

Table of dimensions 2	Dimensions [mm]																	
	A	A1	B	C	C1	D	E	F	F1	G	H	I	J	K	L	M	N	P
	112	140	7,5	15	30	16	133	102	82	50	15	181	80	14	15	70	40	30

Note: All data contained herewith are to be considered as information only.
 The manufacturer reserves all rights for certain changes for the purpose of technical improvement.
 A list of guaranteed values with dimension drawing attached should be submitted upon customer's request.

Bosnia and Herzegovina – Republic of Srpska, 71123 I. Sarajevo, Vuka Karadžića 17.

Switchboard: +387 (0) 57 342 180, General Manager: +387 (0) 57 342 549, 343 354, Commercial director: +387 (0) 57 340 353, 342 326

Telefax: +387 (0) 57 340 357, 340 356, e-mail: office@e-raop.com

