

**CURRENT TRANSFORMER FOR INDOOR INSTALLATION  
FOR VOLTAGE LEVEL 0.72 kV  
TYPE STE - 10 M**



**DESCRIPTION**

- Current instrument transformer, Type STE-10 is made with a toroidal magnetic core of high quality magnetic material of a grain oriented crystal structure. The insulating housing ensures necessary insulating characteristics as well as the operational and aesthetic requirements. The primary and secondary windings are made of copper twice varnished wire of F class. The transformer is fixed horizontally or vertically by means of the screw M 10.
- Feature
  - high accuracy
  - mechanical shock resistance
  - can be mounted in any position
  - possibility of plumbing the secondary connections

**STANDARDS**

Current instrument transformer, Type STE-10 M is in accordance with IEC, JUS, ANSI, BS standards, or some other upon request.

**APPLICATION**

Current instrument transformer, Type STE-10 M is used for a measurement and protection in the low voltage switchgears up to 1 kV. Universal inter-transformer is intended for indoor installation in normal and tropical service conditions.

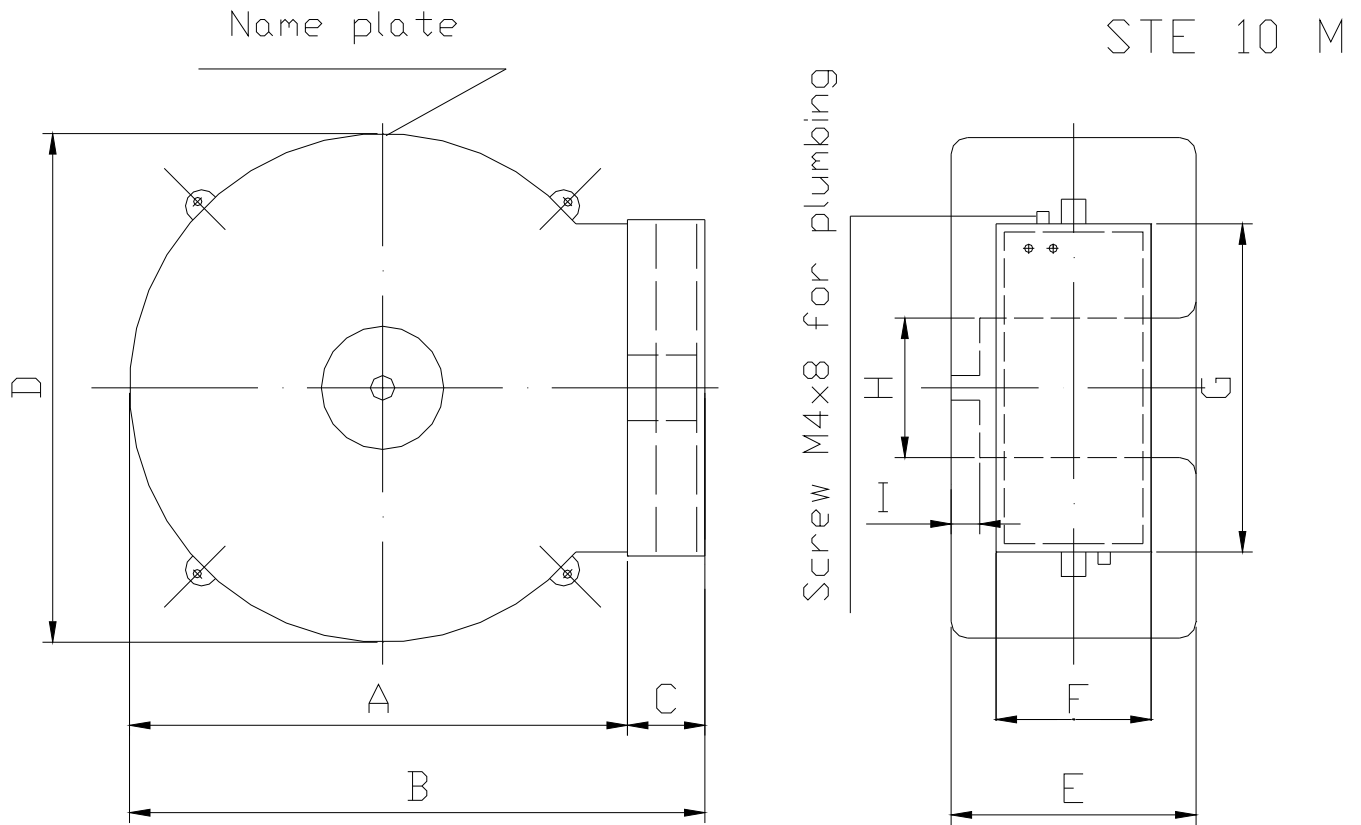
**TO SPECIFY FOR AN ORDER**

- Rated net voltage
- Rated frequency
- Rated primary and secondary currents
- Rated output
- Rated accuracy class
- Safety factor SF
- Ambient temperature
- Altitude
- Standards

**UPON A SPECIAL REQUEST**

- Special design

# TECHNICAL CHARACTERISTICS



Type	Measure Unit	STE-10M	
Highest voltage of equipment	kV	0,72	
Test voltage	kV	3	
Rated short time thermal current I <sub>th</sub>	A	60 I <sub>n</sub>	
Rated frequency	Hz	50 or 60	
Rated primary current	A	0,15 - 20	
Rated secondary current	A	5 ; 1	
For measurement:	Rated output	VA	15 ; 30
	Accuracy class	%	0,5 ; 1 ; 3
	Security factor	FS	5 ; 10
For protection:	Rated output	VA	15 ; 30
	Accuracy class	%	5P5;5P10;10P5;10P10
	Ratio	A	5 + 5/5; 5+5+5/5
For collective measurement	Rated output	VA	15 ; 30
	Accuracy class	%	1
	Security factor	FS	5;10
	Own consumption	VA	<5
	Ratio	A	8/0,14
For generator protection:	Rated output	VA	15
	Accuracy class	%	1 ; 3
	Security factor	FS	5 ; 10
	Own consumption	VA	<5

Dimensions (mm)								
A	B	C	D	E	F	G	H	I
177	205	28	180	90	53	120	50	10

Note: All data contained herewith are to be considered as information only..  
 The manufacturer reserves all rights for changes for the purpose of technical improvement.  
 A list of guaranteed values with dimension drawing attached should be submitted upon customer's request.