

**CURRENT TRANSFORMERS FOR INDOOR INSTALLATION
FOR VOLTAGE LEVEL 0.72 kV
TYPE STE-10; STE-10P**



DESCRIPTION

- Current transformer. type STE-10 are designed for nominal current ranges from 10 to 1500 A, but type STE-10P (without primary conductor) which can be put on bus bars, for nominal current ranges from 50 to 300 A. Rated secondary current is 5 A.
- The transformers are manufactured with a toroidal core made of high quality magnetic sheet. The insulated casing allows a reduction of spark-up distances and forms a functional and aesthetic unit. They are normally manufactured with a base which can be easily removed so their mounting on any place in the cubicle is possible.
- The secondary and primary windings are insulated from each other by high quality insulation material. The secondary winding is specially impregnated and placed in a closed Bakelite or melamine casing (for tropical conditions). The conductors are accessible from all sides by simple breaking of thin cover wall.
- Features
 - high accuracy
 - mechanical shock resistant
 - can be mounted in any position
 - possibility of plumbing the secondary connections

STANDARDS

Current transformers, types STE-10 and STE-10P are in accordance with IEC, JUS, ANSI, BS or some other upon request.

APPLICATION

Current transformers, types STE-10 and STE-10P are incorporated in the electrical switchgears for indoor installation. They are used for the connection of ammeters and current circuits of meters, protective and other measuring devices.

TO SPECIFY FOR AN ORDER

- Rated net voltage
- Rated frequency
- Rated primary and secondary current
- Rated output
- Accuracy class
- Security factor SF
- Ambient temperature
- Altitude
- Standard

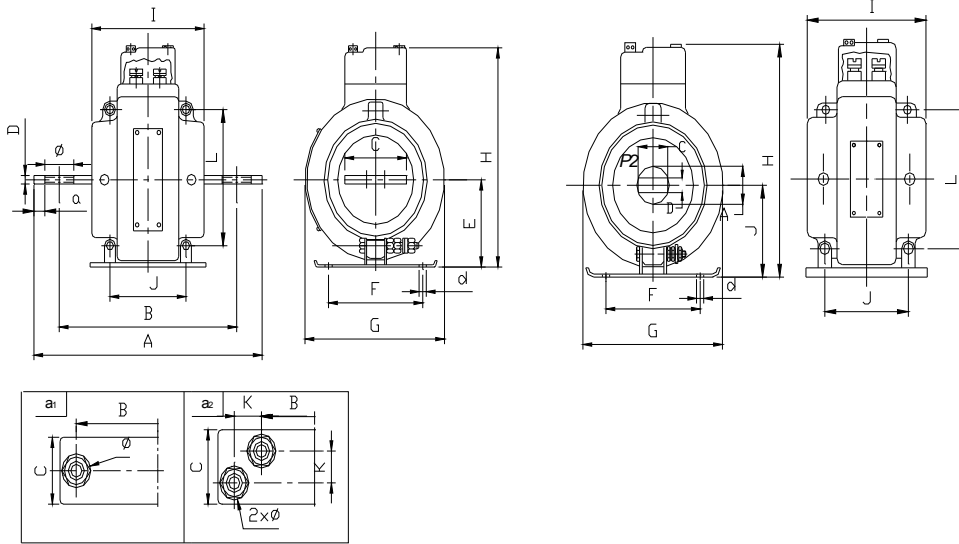
UPON A SPECIAL REQUEST

- Special design
- Rated secondary current 1 A

TECHNICAL CHARACTERISTICS

STE-10

STE-10P
(without primary conductor)



Type	Measure Unit	STE-10	STE-10P
Highest voltage of equipment	kV	0,72	0,72
Test voltage	kV	3000	3000
Rated short time thermal current I _{th}	A	60 I _n	60 I _n
Rated dynamic current I _{dyn}	A	2,5 I _{th}	2,5 I _{th}
Rated frequency	Hz	50 or 60	
Rated primary current	A	10-1500	50 – 300
Rated output/Accuracy class 0,5	VA	10 : 15	2,5 : 5 : 7,5
Rated output/Accuracy class 1	VA	15 : 30	5 : 10 : 15
Mass	kg	1,9 – 2,3	1,5
Table of dimensions		1	2

Table of dimensions 1	Dimensions (mm)														Bolts		
	Terminal (A)	A	B	C	D	E	F	G	H	I	J	K	L	d	Ø	Number	Dimension
10-300	173	142	40	5	63	80	Ø	150	92	69		86	Ø 4 x 6,2	12,5	2	M 12 x 30	
400-600	190	150	50	5	63	80	116	150	92	69	22	86	Ø 4 x 6,2	14,0	4	M 12 x 30	
750-1500	230	158	50	10	63	80	Ø	150	92	69	22	86	Ø 4 x 6,2	10,5	4	M 12 x 35	
							116										
							116										

Table of dimensions 2	Dimensions [mm]											
Rated primary current [A]	A	C	D	E	F	G	H	I	J	L	d	
50 ÷ 300	Ø 23	20	10	63	80	Ø 116	150	92	69	86	Ø 6,2	

Note: All data contained herewith are to be considered as information only.
The manufacturer reserves all rights for certain changes for the purpose of technical improvement.
A list of guaranteed values with dimension drawing attached should be submitted upon customer's request.

