

CONDUCTIVE CURRENT TRANSFORMERS FOR INDOOR INSTALLATION FOR VOLTAGE LEVEL 7.2 kV – 36 kV TYPE PST



TO SPECIFY FOR AN ORDER

- Rated net voltage
- Rated frequency
- Rated primary and secondary current
- Rated short-term thermal current (I_{th})
- Rated continuous thermal current (I_{cth})
- Rated dynamic current (I_{dyn})
- Rated output/Accuracy class/ Safety factor SF (measurement)
- Rated output/ Accuracy class/ Accuracy limiting factor (protection)
- Ambient temperature
- Altitude
- Standard

UPON A SPECIAL REQUEST

- Special design
- Rated secondary current more than 1 A

DESCRIPTION

- Current instrument transformers type PST are manufactured as transformers with double ratio secondary, and transformers with single ratio secondary.
- Rated primary current of single ratio transformers are 600 A up to 3000 A and for secondary double ratio transformers in the range (600 A – 1200 A) up to (1500 A – 3000 A). The available models are with 1, 2 and 3 cores.
- The active parts, primary and secondary windings as well as magnetic core are cast with synthetic resin , which serves as insulation and the transformer casing. By application of the synthetic resins and high quality magnetic sheets of grain oriented structure, a current transformer of high electrical and mechanical characteristics was manufactured. The current transformers types PST are available in 3 models. The models are marked by numbers 4, 6 and 7.
- Features
 - High dielectric safety
 - Resistance to impulse overvoltage
 - High precision of transformation
 - Mechanical resistance
 - Possibility of withstanding the high thermal and dynamic currents.

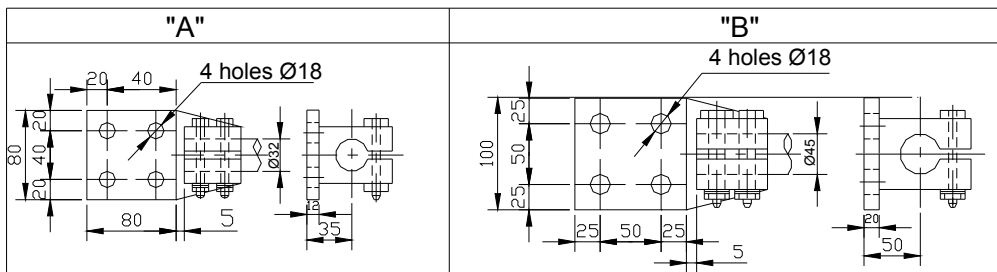
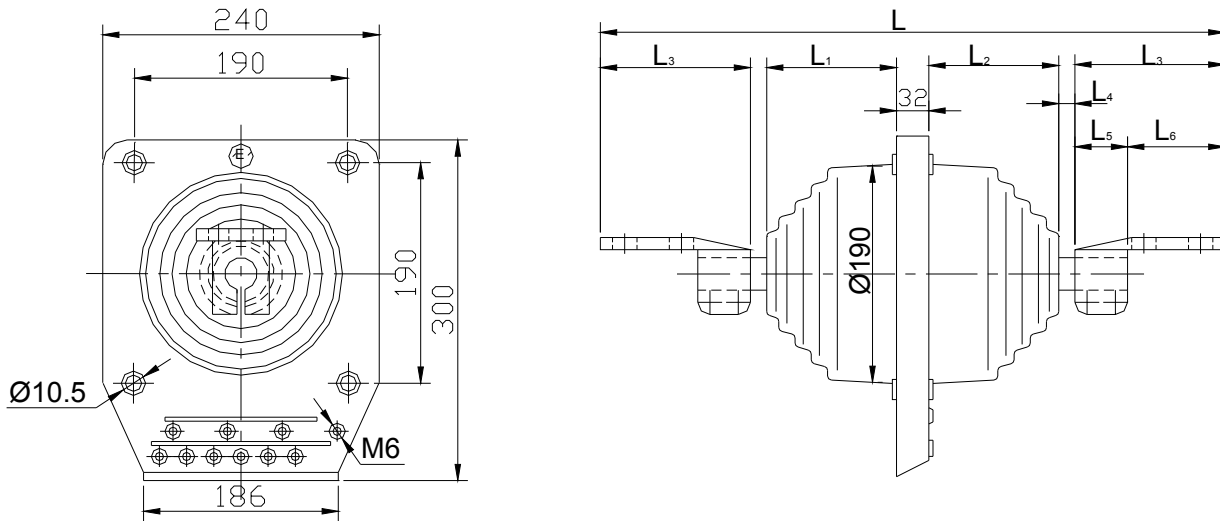
STANDARDS

Current instrument transformers are in accordance with IEC, JUS , ANSI or BS, or some other standards upon request.

APPLICATION

Current instrument transformers type PST are intended for incorporation in the switchgears for indoor installation up to 36 kV, for connection to ampermeters and circuits of metering , protective and other measuring devices.

TECHNICAL CHARACTERISTICS



Primary terminals

Type	Measure unit	PST-4D		PST-6D		PST-7D		
		A	B	A	B	A	B	
Highest voltage for equipment	kV	12	12	24	24	36	36	
One minute withstand voltage	kV	28	28	50	50	70	70	
Impulse withstand voltage 1,2/50 μ s full wave	kV	75	75	125	125	170	170	
Rated primary current for single ratio transformers	A	600 - 3000						
Rated secondary current	A	5						
Rated continuous thermal current	I_{cth}	1,2 I_n						
Rated short-term thermal current	I_{th}	max 60 kA						
Rated dynamic current	I_{dyn}	max 150 kA						
Rated primary current for double ratio transformers	A	2 x 600 up to 2 x 1500						
Number of cores		Up to 3						
For measuring: Rated output Accuracy class Safety factor	VA	Up to 45 0,2 ; 0,5 ; 1 FS = 5 ; 10						
For protection: Rated output Accuracy class Accuracy limiting factor	VA	Up to 45 5P ; 10P 5 - 10 - 15 - 20 - 30						
Mass	kg	32	32	38	38	42	42	
Dimensions	L ₁	mm	140	140	195	195	250	250
	L ₂	mm	118	118	173	173	228	228
	L ₃	mm	135	165	135	165	135	165
	L ₄	mm	15	5	15	5	15	5
	L ₅	mm	50	60	50	60	50	60
	L ₆	mm	85	105	85	105	85	105
	L ₇	mm	590	630	700	740	810	850

Bosnia and Herzegovina – Republic of Srpska, 71123 I. Sarajevo, Vuka Karadžića 17

Switchboard: +387 57 342 180, General Manager: +387 57 342 549, 343 354, Commercial director: +387 57 340 353, 342 326

Telefax: +387 (0) 57 340 357, 340 356, e-mail: office@e-raop.com

