



### CURRENT TRANSFORMERS FOR INDOOR INSTALLATION FOR VOLTAGE LEVEL 0.72 kV TYPE BNB



#### DESCRIPTION

- Current instrument transformer type BNB is of bus type (without primary winding as an integral part of the structure).
- The core is made of high grade electrical steel.
- The secondary winding is intended for rated secondary current 5 A.
- The core and secondary winding are placed in the bakelite casing which ensures high electric insulation properties, high mechanical strength, protection of windings against aggressive influence of humidity as well as damages of secondary caused by the electric flashover.
- The secondary connections are covered with a transparent PVC mass cover and can be lead sealed.
- Smooth surfaces enable easy transformer cleaning.

#### STANDARDS

Current instrument transformers are in accordance with IEC, JUS, ANSI, BS or some other international standards upon request.

#### APPLICATION

Current instrument transformer type BNB is intended for indoor mounting and is to be incorporated in electric power distributing plants of rated voltage up to 0.72 kV. It is used for supply of low voltage measuring devices current circuits.

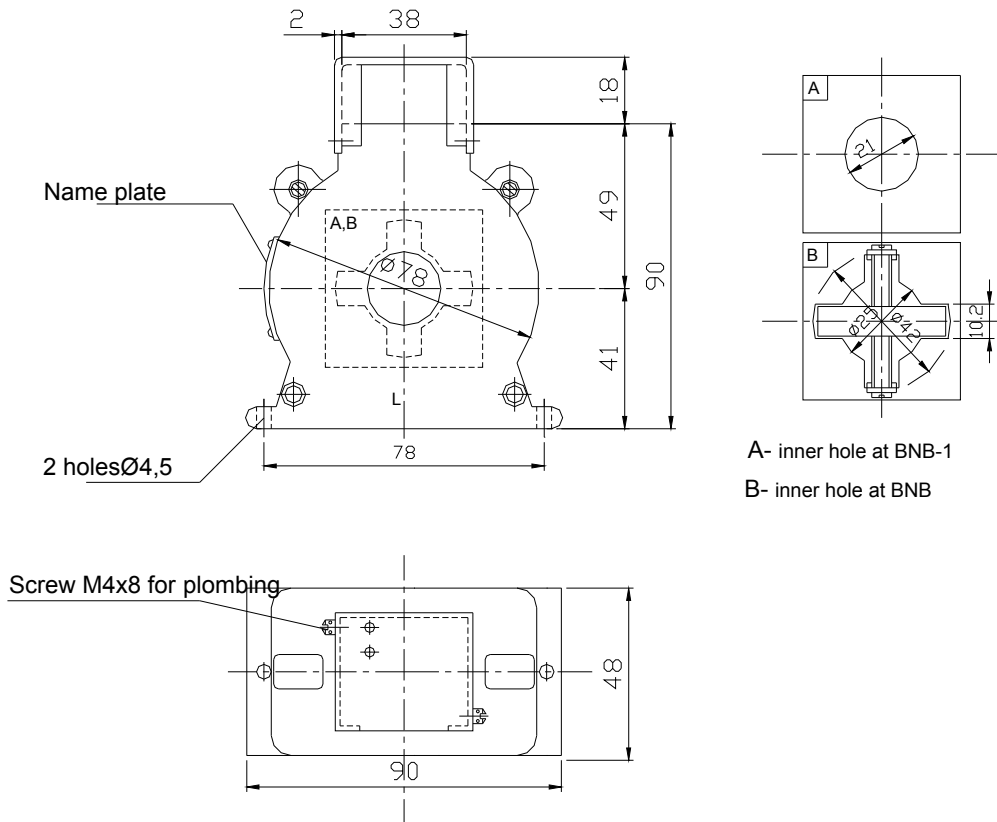
#### TO SPECIFY FOR AN ORDER

- Rated voltage
- Rated frequency
- Rated primary and secondary current
- Rated short-time thermal current ( $I_{th}$ )
- Rated continuous thermal current ( $I_{cth}$ )
- Rated dynamic current ( $I_{dyn}$ )
- Rated power /Accuracy class / Security factor SF (measurement)
- Ambient temperature
- Altitude
- Standard

#### UPON SPECIAL REQUEST

- Tropic design
  - Primary winding
  - Secondary current 1A
- 
-

# TECHNICAL CHARACTERISTICS



Type	Measure Unit	BNB1	BNB1	BNB1	BNB1	BNB	BNB	BNB
Highest voltage for equipment	kV	0,72	0,72	0,72	0,72	0,72	0,72	0,72
Rated primary current	A	100	150	200	300	400	500	600
Frequency	Hz	50 or 60						
Rated secondary current	A	5	5	5	5	5	5	5
Number of cores		1	1	1	1	1	1	1
Accuracy class / Security factor		0,5 1 FS=5 3	0,5 1 FS=5 3	0,5 1 FS=5 3	0,5 1 FS=5 3	0,5 1 FS=5 3	0,5 1 FS=5 3	0,5 1 FS=5 3
Rated power	VA	1,5 2,5 10	2,5 5 10	2,5 5 10	2,5 5 10	5 10 15	5 10 15	5 10 15
Test voltage	kV	3	3	3	3	3	3	3
Mass	kg	0,7	0,7	0,7	0,55	0,55	0,40	0,40

Note: All data contained herewith are to be considered as information only.  
 The manufacturer reserves all rights for certain changes for the purpose of technical improvement.  
 A list of guaranteed values with dimension drawing attached should be submitted upon customer's request.